

# Safety Luminaire Surface Mounting

## 31012 CG-S, 31012 T CG-S

DIN  
4844

10  
W

13  
W



IP20

CG-S

- Safety luminaire for surface ceiling mounting
- Enclosure made of aluminium, matt varnished
- With polished aluminium reflector available for extremely wide light distribution or narrow beam distribution
- Shortened inspection effort due to **CEWA GUARD** technology
- Automatic function monitoring of up to 20 luminaires per circuit
- Reduced installation expenditures by **STAR** technology
- Freely programmable mixed operation of the switching modes per luminaire in one circuit



31012 CG-S



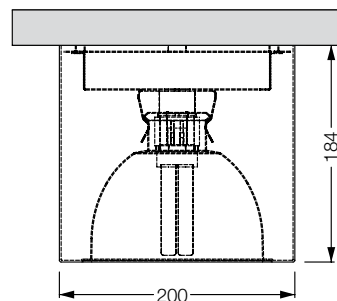
31012 T CG-S

Luminous flux $\Phi_E/\Phi_N$ at the end of rated operating time	75 %
Housing material	Aluminium
Weight	1.1 kg
Housing colour	White, matt RAL 9016
Type of mounting	Surface ceiling mounting
Connection terminals	Loop terminals 3 x 2.5 mm <sup>2</sup>
Connection voltage	220 - 240 V, 50/60 Hz 176 V - 275 V DC
Current consumption with battery operation	TC-DEL 10 W / 13 W 35/50 mA
Power consumption mains operation	TC-DEL 10 W / 13 W 16/23 VA
Permissible ambient temperature	-10 °C to +40 °C
Light source	TC-DEL 10 W/600 lm for 31012 T CG-S as well TC-DEL 13 W/900 lm

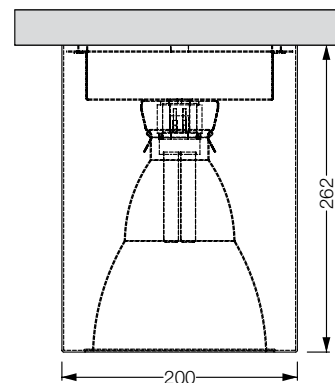
### Ordering details

Type	Scope of supply	Order No.
31012 CG-S	Luminaire with CG-S (CEWA GUARD) monitoring, with 20-digit address switch, with extremely wide light distribution for extended spacing, diameter 200 mm, without light source	4 0071 352 262
31012 T CG-S	Luminaire with CG-S (CEWA GUARD) monitoring, with 20-digit address switch, with narrow beam light distribution for extended mounting height, diameter 200 mm, without light source	4 0071 352 263

Dimensions in mm



31012 CG-S



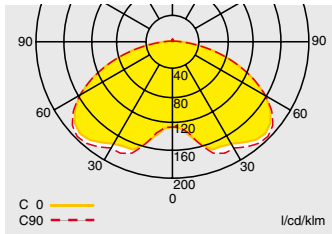
31012 T CG-S

# Safety Luminaire Surface Mounting

## 31012 CG-S, 31012 T CG-S

### Planning help for 31012 CG-S for E = 1.0 lx (0.5 lx)

Measuring level 0.02 m, maintenance factor MF = 80 %, battery operation, distances in m

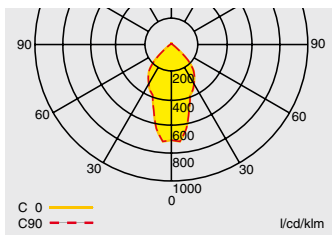


Light distribution curve  
31012 CG-S with TC-DEL 10 W

Mounting height (m)	Types of mounting	L1	L2	L3	L4
2.5	Ceiling mounting	4.4 (5.4)	10.8 (13.0)	4.4 (5.4)	10.8 (13.0)
3.0	Escape route centre	4.7 (5.9)	11.6 (14.2)	4.7 (5.9)	11.6 (14.2)
4.0		5.1 (6.6)	13.0 (16.2)	5.1 (6.6)	13.0 (16.2)
5.0		5.1 (7.0)	14.0 (17.8)	5.1 (7.0)	14.0 (17.8)
6.0		4.6 (7.2)	14.4 (18.8)	4.6 (7.2)	14.4 (18.8)
7.0		3.3 (7.2)	14.2 (19.6)	3.3 (7.2)	14.2 (19.6)
3.0	Ceiling mounting	3.4 (4.4)	10.0 (12.0)	3.4 (4.4)	10.0 (12.0)
4.0	Room illumination	4.0 (5.4)	11.4 (14.0)	4.0 (5.4)	11.4 (14.0)
5.0		4.0 (5.4)	12.4 (15.4)	4.0 (5.4)	12.4 (15.4)
6.0		3.4 (5.4)	13.2 (16.6)	3.4 (5.4)	13.2 (16.6)
7.0		0.7 (5.4)	13.8 (17.6)	0.7 (5.4)	13.8 (17.6)

### Planning help for 31012 T CG-S with TC-DEL 10 W for E = 1.0 lx (0.5 lx)

Measuring level 0.02 m, maintenance factor MF = 80 %, battery operation, distances in m

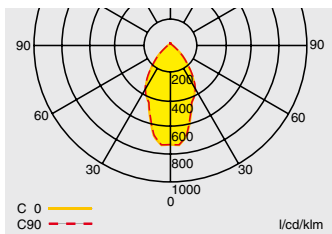


Light distribution curve  
31012 T CG-S with TC-DEL 10 W

Mounting height (m)	Types of mounting	L1	L2	L3	L4
5.0	Ceiling mounting	4.5 (5.3)	10.6 (11.4)	4.5 (5.3)	10.6 (11.4)
7.0	Escape route centre	4.8 (6.6)	13.2 (15.0)	4.8 (6.6)	13.2 (15.0)
9.0		4.5 (6.9)	13.8 (17.8)	4.5 (6.9)	13.8 (17.8)
11.0		3.6 (6.7)	13.4 (19.0)	3.6 (6.7)	13.4 (19.0)
13.0		3.3 (6.2)	12.4 (19.4)	3.3 (6.2)	12.4 (19.4)
15.0		2.8 (5.2)	10.4 (19.2)	2.8 (5.2)	10.4 (19.2)
5.0	Ceiling mounting	3.4 (4.4)	8.0 ( 8.4)	3.4 (4.4)	8.0 ( 8.4)
7.0	Room illumination	3.4 (4.4)	10.4 (11.2)	3.4 (4.4)	10.4 (11.2)
9.0		3.4 (5.4)	12.2 (13.8)	3.4 (5.4)	12.2 (13.8)
11.0		3.4 (5.4)	13.0 (15.8)	3.4 (5.4)	13.0 (15.8)
13.0		2.4 (5.0)	13.4 (17.4)	2.4 (5.0)	13.4 (17.4)
15.0		2.1 (4.4)	12.8 (18.2)	2.1 (4.4)	12.8 (18.2)

### Planning help for 31012 T CG-S with TC-DEL 13 W for E = 1.0 lx (0.5 lx)

Measuring level 0.02 m, maintenance factor MF = 80 %, battery operation, distances in m



Light distribution curve  
31012 T CG-S with TC-DEL 13 W

Mounting height (m)	Types of mounting	L1	L2	L3	L4
5.0	Ceiling mounting	4.8 (5.4)	10.8 (11.8)	4.8 (5.4)	10.8 (11.8)
7.0	Escape route centre	5.6 (6.8)	13.6 (15.2)	5.6 (6.8)	13.6 (15.2)
9.0		6.1 (7.7)	15.4 (18.2)	6.1 (7.7)	15.4 (18.2)
11.0		6.2 (8.3)	16.6 (20.4)	6.2 (8.3)	16.6 (20.4)
13.0		5.6 (8.7)	17.4 (22.0)	5.6 (8.7)	17.4 (22.0)
15.0		4.7 (8.8)	17.6 (23.2)	4.7 (8.8)	17.6 (23.2)
5.0	Ceiling mounting	4.3 (4.4)	8.2 ( 8.8)	4.3 (4.4)	8.2 ( 8.8)
7.0	Room illumination	4.4 (5.4)	10.8 (11.6)	4.4 (5.4)	10.8 (11.6)
9.0		4.4 (5.4)	12.8 (14.2)	4.4 (5.4)	12.8 (14.2)
11.0		4.4 (6.4)	14.4 (16.6)	4.4 (6.4)	14.4 (16.6)
13.0		4.4 (6.4)	15.4 (18.4)	4.4 (6.4)	15.4 (18.4)
15.0		3.4 (6.4)	16.4 (20.0)	3.4 (6.4)	16.4 (20.0)