

Escape Sign Luminaire Atlantic LED CG-S



- LED escape sign luminaire with high protection class (IP65) for indoor and outdoor use
- Robust construction from aluminium diecast and high impact resistant cover made of polycarbonate
- Numerous knock-outs for cable entries and double terminal for through-wiring
- Very good perceptibility on account of high luminance of the white contrasting colour > 500 cd/m²
- Minimum service requirement due to high service life of the LEDs (50,000 hours)
- Shortened inspection effort due to CEWA GUARD technology
- Automatic function monitoring of up to 20 luminaires per circuit
- Reduced installation expenditures by STAR technology
- Freely programmable mixed operation of the switching modes per luminaire in one circuit

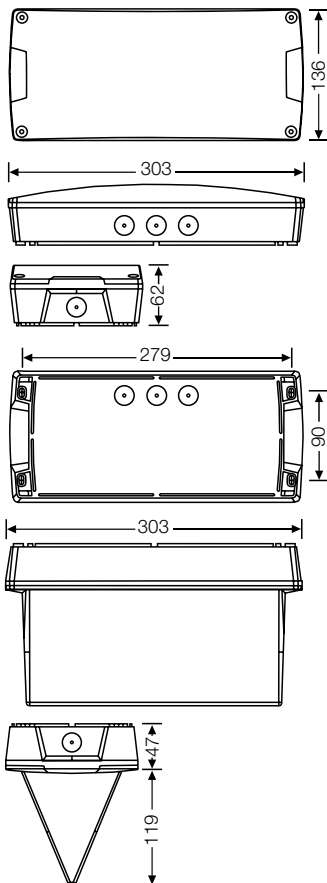


Atlantic LED S CG-S



Atlantic LED D CG-S

Dimensions in mm



Viewing distance	24 m
Luminous flux Φ_E/Φ_N at the end of rated operating end	100 %
Housing material	Aluminium diecast, Polycarbonate (850 °C glow wire resistant)
Enclosure colour	grey
Weight	one-sided 1.2 kg two-sided 1.3 kg
Type of mounting	Wall- and ceiling mounting
Connecting terminals	3 x 2.5 mm ²
Connection voltage	220 - 240 V, 50/60 Hz 176 - 275 V DC
Current consumption with battery operating	21.5 mA
Power consumption mains operation (apparent power / effective power)	8.5 VA / 5.0 W
Permissible temperature range	-20 °C up to +40 °C
Light source	HighPower LEDs 2 x 1.5 W

Ordering details

Scope of supply	Order No.
Escape sign luminaire Atlantic LED S CG-S, single sided, incl. LED supply and CG-S technology (20 addresses), without pictogram	120-052-024
Escape sign luminaire Atlantic LED D CG-S, double sided, incl. LED supply and CG-S technology (20 addresses), without pictograms	120-052-025

Accessories

Scope of supply	Order No.
Pictograms for Atlantic S	
PR ISO	155-000-011
PL ISO	155-000-012
PU ISO	155-000-013
PR	4 0071 352 309
PL	4 0071 352 308
PU	4 0071 352 310
Pictograms for Atlantic D (2 x required)	
PR ISO	155-000-211
PL ISO	155-000-212
PU ISO	155-000-213
PR	4 0071 352 312
PL	4 0071 352 311
PU	4 0071 352 313
BL	155-000-209