

Self-Contained Luminaire

Brillant 1883, 1884, 1984 LED CGLine



- Self-monitoring LED self-contained luminaire for stand-alone operation or for connection to the central monitoring device CG Controller CGLine 400 or PC-Interface
- Wall and surface mounting housings with rectangular, slender 50 mm profile housing
- Recessed mounting version including plastic bezel, optional with metal bezel
- Selectable operating time 1 h or 3 h
- Minimum service requirement due to high service life of the LEDs (50,000 hours)
- Brightness selectable in 3 steps
- Test results with fault analysis (LED, charging and battery circuit) as well as status displays (operation, function test, duration test) via 3 coloured LEDs
- Automatic function test (weekly) and duration test (every 3 months)
- Manual function test or operational duration test via testing buttons
- Automatic charging monitoring and deep discharge protection with restart inhibit
- 1 minute delay of normal mode after mains returns (acc. to DIN VDE 0100-718)
- Blocking function with CG-Controller CGLine 400 or PC-Interface in times of shut-down
- Luminaires are generally suitable for maintained or non-maintained mode



1883 1-3/D LED CGLine



1884 1-3/D LED CGLine



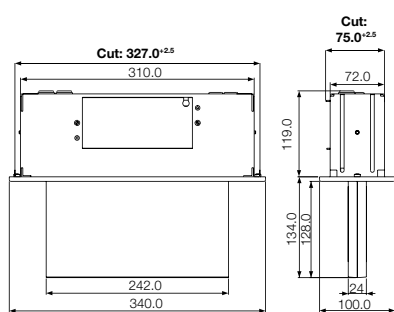
1984 1-3/D LED CGLine

Viewing distance	1883 20 m 1884, 1984 28 m
Luminous flux Φ_E/Φ_N at the end of rated operating time	50 % 1 h 20 % 3 h
Housing material	Sheet steel, bezel Polycarbonate (850 °C glow wire resistant)
Housing colour	white, sim. RAL 9010
Weight	1883 1-3/D LED 3.0 kg 1884 1-3/D LED 4.0 kg 1984 1-3/D LED 4.0 kg
Type of mounting	1883, 1884 Recessed ceiling mounting 1984 Ceiling surface mounting
Connection terminals	Mains connection 3 x 2.5 mm ² / Bus connection 2 x 1.5 mm ²
Connection voltage	230 V AC, 50 Hz
Power consumption mains operation	1883: 6.3 VA; 1884, 1984: 7.1 VA
Permissible ambient temperature	Maintained mode -5 °C to +30 °C Non-maintained mode 0 °C to +35 °C
Battery	maintenance free and gas tight NiMH 4.8 V / 1.1 Ah
Light source	LED batten with 3-chip LEDs

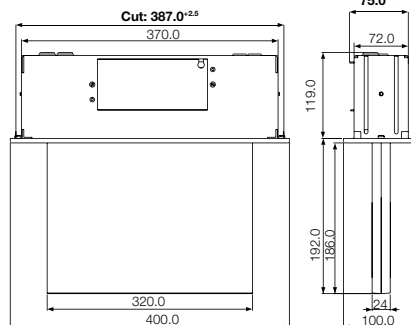
Ordering details

Scope of supply		Order No.
Panel luminaire 1883 1-3/D LED CGLine	for recessed ceiling mounting, without panel, plastic bezel white, sim. RAL 9010	4 0071 352 806
Panel luminaire 1884 1-3/D LED CGLine	for recessed ceiling mounting, without panel, plastic bezel white, sim. RAL 9010	4 0071 352 807
Panel luminaire 1984 1-3/D LED CGLine	for surface ceiling mounting, without panel, white, sim. RAL 9010	4 0071 352 808

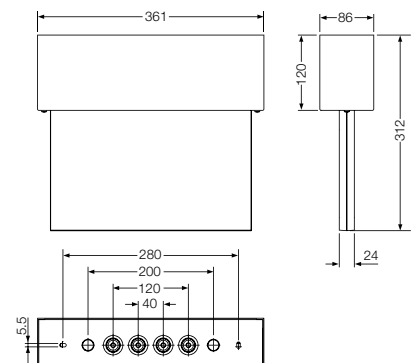
Dimensions in mm



1883-...1-3/D



1884-...1-3/D

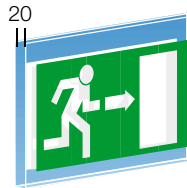


1984-...1-3/D

1883 and 1884: Required recess height: 120 mm / Clamping range of the fixing angles for ceiling thickness up to 35 mm

Self-Contained Luminaire

Brillant 1883, 1884, 1984 LED CGLine



Panel PL/PR

Ordering details for panel 1883

Type	Scope of supply		Order No.
Panel PL/PR acc. to DIN 4844	Two-sided pictogram panel		4 0071 350 943
Panel PU/PU acc. to DIN 4844	Two-sided pictogram panel		4 0071 350 944
Panel PU/BL acc. to DIN 4844	Two-sided pictogram panel		4 0071 350 945
Panel PL/PR	Two-sided pictogram panel		4 0071 350 940
Panel PU/PU	Two-sided pictogram panel		4 0071 350 941
Panel PU/BL	Two-sided pictogram panel		4 0071 350 942

Ordering details for panel 1884, 1984

Type	Scope of supply		Order No.
Panel PL/PR acc. to DIN 4844	Two-sided pictogram panel		4 0071 350 949
Panel PU/PU acc. to DIN 4844	Two-sided pictogram panel		4 0071 350 950
Panel PU/BL acc. to DIN 4844	Two-sided pictogram panel		4 0071 350 951
Panel PL/PR	Two-sided pictogram panel		4 0071 350 946
Panel PU/PU	Two-sided pictogram panel		4 0071 350 947
Panel PU/BL	Two-sided pictogram panel		4 0071 350 948

Accessories

Type	Scope of supply	Order No.
Concrete mounting box for 1883	for installation in concrete ceilings	4 0071 348 725
Concrete mounting box for 1884	for installation in concrete ceilings	4 0071 341 710
Mounting kit for 1883/1884	for installation in concrete mounting box	4 0071 341 721
Suspension set 0.5 m for 1984	with canopy	4 0071 350 517
Wall bracket for 1984	RAL 9010	4 0071 349 910
Wall bracket for 1984 simple construction	RAL 9010	4 0071 349 952
Wall mounting parallel for 1984	RAL 9010	4 0071 349 852
Chain fastening for 1984		4 0071 348 723
Through-wiring set PE, N, L', L and D1, D2		4 0071 350 422



Concrete mounting box



Through-wiring set