

# Accessories

## Style Luminaires



Suspension set



Suspension set with 90° angle



Wall bracket



Chain fastening



Luminaire with IP54 cover



Wire guard



Quick-mounting set

### Ordering details

Type	Order No.
Suspension set 0.5 m incl. quick-mounting set	4 0071 345 972
Suspension set 0.5 m for IP 54 mounting incl. quick-mounting set	4 0071 345 944
Suspension set 1.5 m incl. quick-mounting set	4 0071 348 210
Suspension set 1.5 m for IP 54 mounting incl. quick-mounting set	4 0071 348 556
Suspension set 0.5 m incl. quick-mounting set and 90° angle	4 0071 348 665

Type	Order No.
Wall bracket incl. quick-mounting set	4 0071 345 974

Type	Order No.
Chain fastening bracket incl. quick-mounting set	4 0071 352 205

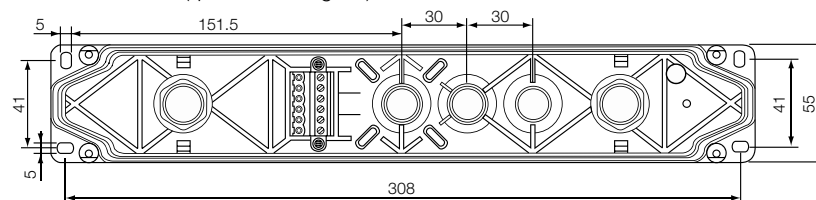
Type	Order No.
IP 54 supplement incl. mounting accessories* (for electronic and light source) For increased tightness requirements indoors or in semi-outdoor areas	4 0071 345 975

\* unsuitable for 29011/-021 LED CG-S

Type	Order No.
Wire guard incl. mounting clamps	4 0071 348 370

Type	Order No.
Quick-mounting set with terminals and optional distance plates	4 0071 345 980

Dimensions in mm (quick-mounting set)



# Accessories

## Style Luminaires

### Variable mounting

Modular constructed luminaires and fixing elements offer the possibility of individual mounting. Nearly all accessories can be combined. This means a maximum of flexibility because all luminaires have the same quick-mounting set.



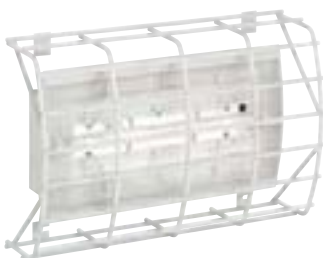
Suspension set with with 90° angle and STYLE 51011 CG-S



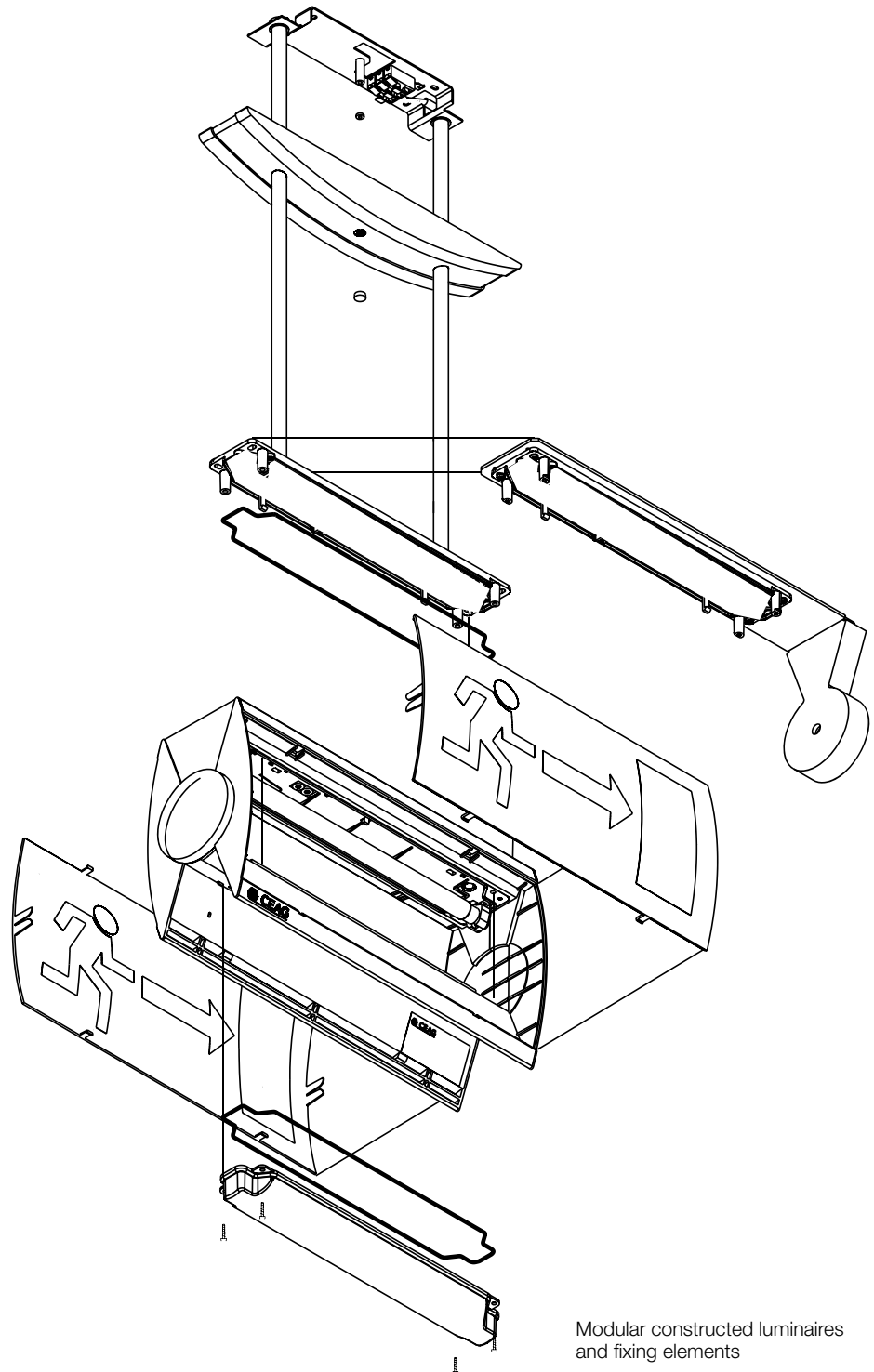
Suspension set with with 90° angle and STYLE 55011 CG-S



Suspension set with STYLE 51021 CG-S



Wire guard with STYLE 22011 CG-S



Modular constructed luminaires and fixing elements