

Safety Luminaire and Escape Sign Luminaire 71011 ... 71021 LED CG-S



- Enclosure made of slim aluminium profile, anodised, with silk-screened pictogram cover
- Special LED converter, with integrated monitoring module for single luminaire monitoring
- Minimum service requirement due to high service life of the LEDs (50,000 hours)
- Low operating costs with low connected load of only 5.8 W (3.1 W with single-sided emission)
- Shortened inspection effort due to CEWA GUARD technology
- Automatic function monitoring of up to 20 luminaires per circuit
- Reduced installation expenditures by STAR technology
- Freely programmable mixed operation of the switching modes per luminaire in one circuit



71011 LED CG-S



71021 LED CG-S WM
with wall/ceiling mounting kit

Viewing distance	32 m
Luminous flux Φ_E/Φ_N at the end of rated operating time	100 %
Housing material	Aluminium
Weight incl. cover	1.75 kg (71011 LED CG-S) 1.50 kg (71021 LED CG-S)
Housing colour	Aluminium, anodised
Type of mounting	Wall mounting (71011 LED CG-S) Wall, ceiling and pendant mounting (71021 LED CG-S)
Connection terminals	3 x 2.5 mm ²
Connection voltage	220 – 240 V AC, 50/60 Hz 176 – 275 V DC
Current consumption with battery operation	14 mA (71011 LED CG-S) 25 mA (71021 LED CG-S)
Power consumption mains operation (apparent power/effective power)	5.8 VA/3.1 W (71011 LED CG-S) 9.5 VA/5.8 W (71021 LED CG-S)
Permissible ambient temperature	-10 °C to +40 °C
Light source	HighPower LEDs 2 x 1.1 W LED (71011 LED CG-S) HighPower LEDs 4 x 1.1 W LED (71021 LED CG-S)

Ordering details

Type	Scope of supply	Order No.
71011 CG-S	Luminaire with CEWA GUARD monitoring and 20-digit address switch, without cover	400 71 351 280
71021 LED CG-S WM	Luminaire with CEWA GUARD monitoring for wall mounting, with 20-digit address switch, without covers*	400 71 351 281
71021 LED CG-S DM	Luminaire with CEWA GUARD monitoring for ceiling mounting, with 20-digit address switch, without covers*	400 71 351 282
71021 LED CG-S PM	Luminaire with CEWA GUARD monitoring for pendant mounting, with 20-digit address switch, without covers*	400 71 351 283
Cover PL	Cover with pictogram acc. to DIN 4844	400 71 351 600
Cover PR	Cover with pictogram acc. to DIN 4844	400 71 351 601
Cover PU	Cover with pictogram acc. to DIN 4844	400 71 351 602
Cover PL	Cover with pictogram	400 71 351 608
Cover PR	Cover with pictogram	400 71 351 609
Cover PU	Cover with pictogram	400 71 351 610
Blind cover		400 71 351 197

* Each luminaire requires 2 covers.

Installation material is not included in the scope of delivery of the luminaire. Please order installation material separately depending on the type of mounting (see accessories).

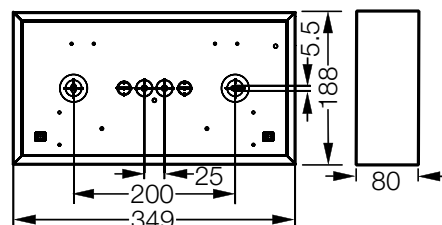
WM = Wall mounting, DM = Ceiling mounting, PM = Pendant mounting

Safety Luminaire and Escape Sign Luminaire 71011 ... 71021 LED CG-S

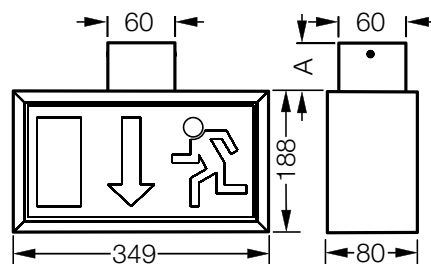
Accessories

Type		Order No.
Wire guard	for 71011 LED CG-S	400 71 348 370
Wall/ceiling mounting kit	for WM / DM, A = 42 mm	400 71 351 011
Wall/ceiling mounting kit	for WM / DM, A = 100 mm	400 71 351 497
Suspension set 0.5 m	with canopy, silver, square form, for PM	400 71 344 599
Suspension set 1.0 m	with canopy, silver, square form, for PM	400 71 344 775
Suspension set 1.5 m	with canopy, silver, square form, for PM	400 71 344 776
Chain fastening	Ring eyelets, for PM	400 71 351 158

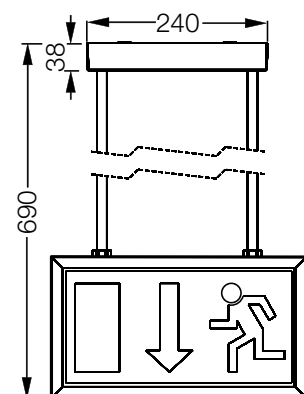
Dimensions in mm



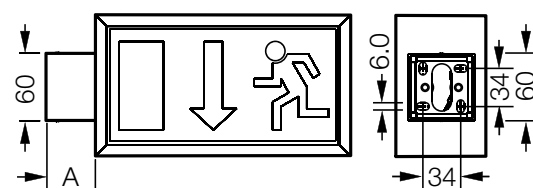
71011 LED CG-S



71021 LED CG-S DM



71021 LED CG-S PM



71021 LED CG-S WM

A = 42 mm, 100 mm and 500 mm