

# Safety Luminaire and Escape Sign Luminaire 70011 ... 70021 LED CG-S



- Enclosure made of slim aluminium profile, anodised, with silk-screened pictogram cover
- Special LED converter, with integrated monitoring module for single luminaire monitoring
- Minimum service requirement due to high service life of the LEDs (50,000 hours)
- Low operating costs with low effective connected load of only 3.1 W (2.0 W with single-sided emission)
- Shortened inspection effort due to CEWA GUARD technology
- Automatic function monitoring of up to 20 luminaires per circuit
- Reduced installation expenditure with STAR technology
- Freely programmable mixed operation of the switching modes per luminaire in one circuit



70011 LED CG-S



70021 LED CG-S DM  
with wall/ceiling mounting kit

<b>Viewing distance</b>	<b>20 m</b>
Luminous flux $\Phi_E/\Phi_N$ at the end of rated operating time	100 %
Housing material	Aluminium
Weight incl. cover	1.20 kg (70011 LED CG-S) 1.25 kg (70021 LED CG-S)
Housing colour	Aluminium, anodised
Type of mounting	Wall mounting (70011 LED CG-S) Wall, ceiling and pendant mounting (70021 LED CG-S)
Connection terminals	3 x 2.5 mm <sup>2</sup>
Connection voltage	220 – 240 V AC, 50/60 Hz 176 – 275 V DC
Current consumption with battery operation	8.7 mA (70011 LED CG-S) 14.0 mA (70021 LED CG-S)
Power consumption mains operation (apparent power/effective power)	4.36 VA/2.0 W (70011 LED CG-S) 5.80 VA/3.1 W (70021 LED CG-S)
Permissible ambient temperature	-10 °C to +40 °C
Light source	HighPower LED 1 x 1.1 W LED (70011 LED CG-S) HighPower LEDs 2 x 1.1 W LED (70021 LED CG-S)

## Ordering details

Type	Scope of supply	Order No.
70011 LED CG-S	Luminaire with CEWA GUARD monitoring and 20-digit address switch, without cover	400 71 351 270
70021 LED CG-S WM	Luminaire with CEWA GUARD monitoring for wall mounting, with 20-digit address switch, without covers*	400 71 351 271
70021 LED CG-S DM	Luminaire with CEWA GUARD monitoring for ceiling mounting, with 20-digit address switch, without covers*	400 71 351 272
70021 LED CG-S PM	Luminaire with CEWA GUARD monitoring for pendant mounting, with 20-digit address switch, without covers*	400 71 351 273
Cover PL	Cover with pictogram acc. to DIN 4844	400 71 351 500
Cover PR	Cover with pictogram acc. to DIN 4844	400 71 351 501
Cover PU	Cover with pictogram acc. to DIN 4844	400 71 351 502
Cover PL	Cover with pictogram	400 71 351 508
Cover PR	Cover with pictogram	400 71 351 509
Cover PU	Cover with pictogram	400 71 351 510
Blind cover		400 71 351 196

\* Each luminaire requires 2 covers.

Installation material is not included in the scope of delivery of the luminaire. Please order installation material separately depending on the type of mounting (see accessories).

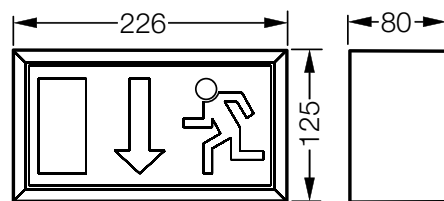
WM = Wall mounting, DM = Ceiling mounting, PM = Pendant mounting

# Safety Luminaire and Escape Sign Luminaire 70011 ... 70021 LED CG-S

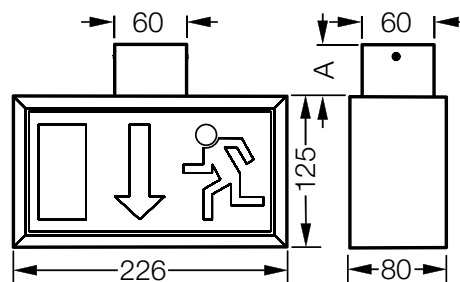
## Accessories

Type		Order No.
Wall/ceiling mounting kit	for WM / DM, A = 42 mm	400 71 351 011
Wall/ceiling mounting kit	for WM / DM, A = 100 mm	400 71 351 497
Single suspension	for PM	400 71 351 157

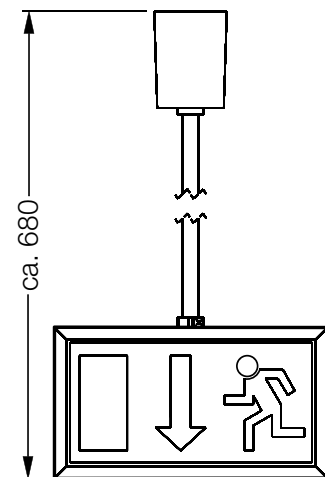
Dimensions in mm



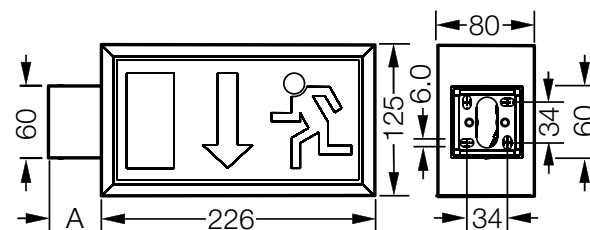
70011 LED CG-S



70021 LED CG-S DM



70021 LED CG-S PM



70021 LED CG-S WM

A = 42 mm, 100 mm and 500 mm