

Single Power Supply

VL 8-1.1 CGLine/VL 8-2.1 CGLine

IP20



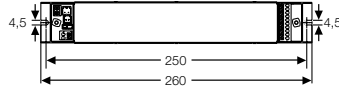
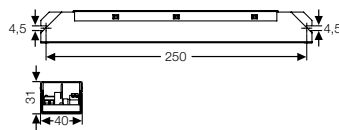
VL 8-1.1 CGLine

- Self-monitoring single power supply for stand-alone operation or for connection to the central monitoring device CG Controller CGLine 400 or PC-Interface
- Test button with integrated 3-coloured LED indicator
- Test results with fault analysis (lamps, charging and battery circuit) as well as status displays (operation, function test, duration test) via multi colour LEDs
- Automatic function test (weekly) and duration test (every 3 months)
- Deep discharge protection with restart inhibit
- Automatic cut off in case of failures within the lamp circuit
- Intelligent charge: integrated capacity control for optimized recharge in case of partial discharge
- Manual function test or duration test with test button
- Blocking function via CG-Controller CGLine 400 in idle operating times
- 1 minute delay of normal mode after mains returns (acc. to DIN VDE 0100-718)
- Luminaires are generally suitable for maintained or non-maintained mode
- Maintained mode only in connection with additional conventional ballast or electronic ballast
- The switchover between mains and battery operation is carried out via a 5-pole switchover unit
- Soft lamp preheat operation

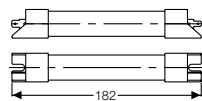


Test button incl. multicolour indication LED

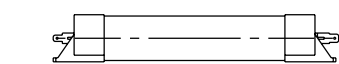
Dimensions in mm



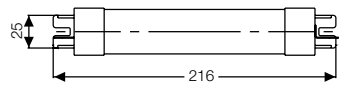
VL 8-1.1 CGLine/VL 8-2.1 CGLine



NiCd-Accu 3.6 V/2.5 Ah



NiCd-Accu 3.6 V/4 Ah



Housing material	Sheet steel, galvanized	
Type of mounting	for installation inside luminaires	
Weight	VL 8-1.1 CGLine	0.8 kg
	VL 8-2.1 CGLine	0.8 kg
	2 x Accu 3.6 V/2.5 Ah	0.50 kg
	2 x Accu 3.6 V/4 Ah	0.86 kg
Battery maintenance free and gas tight	Rated operating time 1 h: NiCd-Accu 2 x 3.6 V / 2.5 Ah Rated operating time 3 h: NiCd-Accu 2 x 3.6 V / 4.0 Ah	
Connection terminals	Mains	2 x 1.5 mm ²
	Data line	2 x 1.5 mm ²
	Luminaire/ECG connection	10 x 1.5 mm ²
Connection voltage	230 V AC, 50 Hz	
Power consumption mains operation	6 VA	
Functional earth	necessary	
Permissible ambient temperature	VL 8-1.1 CGLine	-10 °C to +50 °C
	VL 8-2.1 CGLine	-10 °C to +50 °C
	Battery	0 °C to +40 °C

Ordering details

Type	Scope of supply	Order No.
VL 8-1.1 CGLine	Power supply incl. test button and multicolour LED indication, without battery	4 0071 347 680
VL 8-2.1 CGLine	Power supply incl. test button and multicolour LED indication, without battery	4 0071 347 681
NiCd-Accu 3.6 V/2.5 Ah	Battery incl. end caps for fixing (for 7.2 V, 2 battery required)	4 0071 352 498
NiCd-Accu 3.6 V/4 Ah	Battery incl. end caps for fixing (for 7.2 V, 2 battery required)	4 0071 344 713

Single Power Supply

VL 8-1.1 CGLine/VL 8-2.1 CGLine

Luminous flux depending on lamp

VL 8-1.1 CGLine

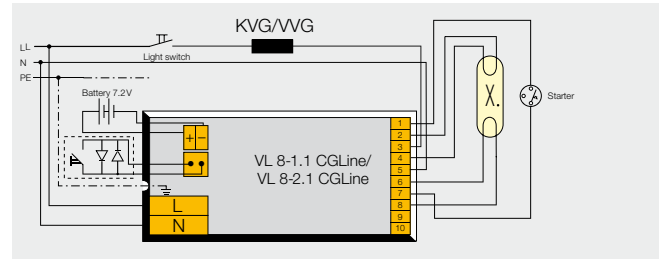
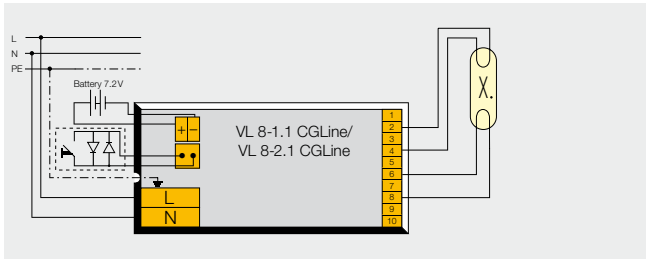
Type	Luminous flux in emergency mode at 20 °C
T26 36 W	6 %
T26 58 W	4 %
TC-TEL 32 W	7 %
TC-TEL 42 W	6 %
TC-L 36 W	5 %
TC-L 40 W	5 %
TC-L 55 W	5 %
TC-F 36 W	5 %

VL 8-2.1 CGLine

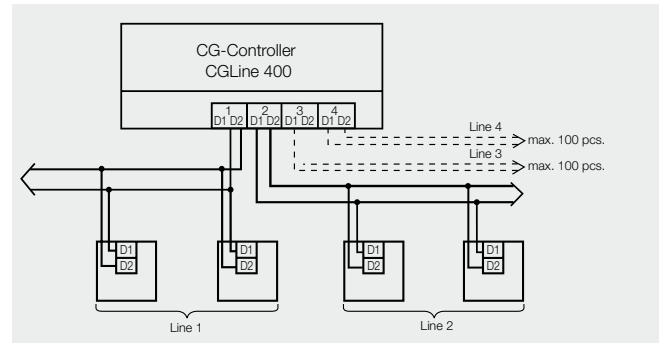
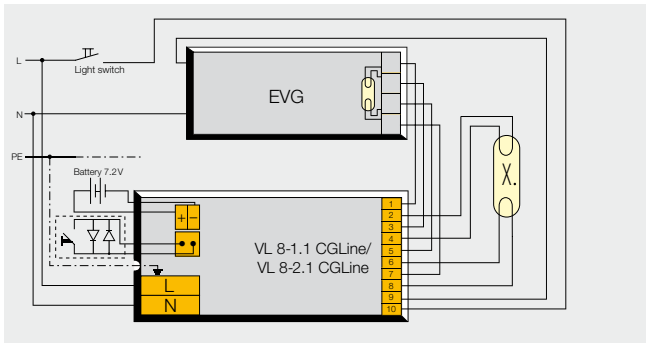
Type	Luminous flux in emergency mode at 20 °C
T26 18 W	9 %
TC-SEL 11 W	22 %
TC-DEL 10 W	25 %
TC-DEL 13 W	25 %
TC-DEL 18 W	16 %
TC-DEL 26 W	11 %
TC-TEL 13 W	19 %
TC-TEL 18 W	18 %
TC-TEL 26 W	14 %
TC-F 18 W	10 %
TC-F 24 W	10 %
TC-L 18 W	10 %
TC-L 24 W	10 %

Single Power Supply VL 8-... CGLine Modes

Non-maintained mode



Switched maintained with EVG



VL 8 CGLine multicolour LED indicator

Status	LED
No fault	● green lights up
Emergency mode	○ LED does not light up
Delay-time on mains return	* / * blinks green / yellow alternately
Luminaire in function test	* green blinks
Luminaire in duration test	* green flashes
Charging fault	* red flashes
Fault while function test	* / * blinks green / red alternately
Fault while duration test	* / * blinks green / red alternately
Lamp fault	* / * blinks yellow / red alternately
Block mode ⁽¹⁾	* yellow blinks

● = LED lights up; ○ = LED does not light up; * = LED blinks; * = LED flashes

⁽¹⁾ Only in mains operation

VL 8 CGLine test button incl. multicolour indication LED

Test button pressed for	Function	LED
1 Sec. < t < 5 Sec.	Function Test ON	* green blinks
1 > 5 Sec.	Duration test ON / OFF	* green flashes
	Duration test delayed ⁽¹⁾	● (1s) red for 1s ⁽²⁾
t > 10 Sec.	RESET of luminaires	○ LED does not light up

● = LED lights up; ○ = LED does not light up; * = LED blinks; * = LED flashes

⁽¹⁾ Duration test delayed = FT happens in max. 24 h, because charging of battery has not be ended

⁽²⁾ After pressing test button

Example: Address 25 = First LED YELLOW blinks 2 times, then LED RED blinks 5 times