

Explosion Protected Safety Luminaire and Escape Sign Luminaire dKLK 23 CG-S



- Explosion protected safety and escape sign luminaire
- For operation with compact-fluorescent lamps with integrated ECG
- Enclosure made of reinforced polyester
- Shortened inspection effort due to CEWA GUARD technology
- Automatic function monitoring of up to 20 luminaires per circuit
- Reduced installation expenditure with STAR technology
- Freely programmable mixed operation of the switching modes per luminaire in one circuit



dKLK 23 CG-S with eXLink

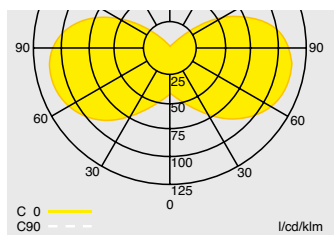
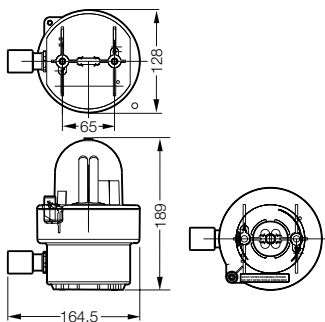


dKLK 23 CG-S



Escape sign cube for
dKLK 23 CG-S

Dimensions in mm




Light distribution curve
dKLK 23 CG-S

| | |
|-----------------------------------|--|
| Viewing distance | 20 m (with cube 4 0071 352 757) |
| Marking acc. to RL 94/9/EG | Ex II 2 G / Ex II 2 D |
| Ignition protection type | Ex d IIC T6 Gb / Ex tb IIIC T80 °C Db IP66 |
| EU-type inspection certificate | BVS 10 ATEX E003 |
| Housing material | glass-fibre reinforced polyester |
| Protective cover | Polycarbonate (850 °C glow wire resistant) |
| Rated voltage | AC: 230 V +/- 10 %, 50-60 Hz DC: 220 V + 25 %/- 20 % |
| Rated current | max. 25 mA |
| Permissible ambient temperature | -20 °C to max. +45 °C (depends on lamp wattage and mounting position) |
| Power connection | pressure-resistant connector plug eXLink, 3pole Ex d cable entry M20 x 1.5 for cables Ø 8.5-16 mm |
| Coupler (enclosed) (type: eXLink) | 2 + PE cage clamp terminal for power Ø 8-11 mm and max. 1.5 mm ² (rigid) |
| Connection terminals (Ex d screw) | L, N, PE, max. 2.5 mm ² terminals |
| Light source | Compact fluorescent lamp with integrated EVG, socket E27, power 5-8 W, Brand: Philips PL Electronic 5 W/8 W or equal, suitable for DC-operation |
| Weight | approx. 1.7 kg |

Ordering details

| Type | Scope of supply | Order No. |
|------------------------------|---|---------------------|
| dKLK 23 CG-S with eXLink | Luminaire with CG monitoring and 20-digit address switch, without light source, with eXLink | GHG 871 2001 R 0001 |
| dKLK 23 CG-S with Ex d screw | Luminaire with CG monitoring and 20-digit address switch, without light source, with pressure-resistant cable entry | GHG 871 2001 R 0101 |

Accessories

| Type | Order No. |
|---|--|
| Cube Escape sign (242 x 227 x 242) Viewing distance 20 m acc. to DIN 4844 |  4 0071 352 757 |