

# Safety Luminaire Recessed Ceiling Mounting

## 30011 CG-S, 31011 CG-S, 31011 T CG-S

DIN  
4844

10  
W

13  
W



IP20

CG-S

- Safety luminaire for recessed ceiling mounting
- Enclosure made of sheet steel with mounting clips for clamping range 0-33 mm
- With polished aluminium reflector available for extremely wide light distribution or narrow beam distribution
- Shortened inspection effort due to **CEWA GUARD** technology
- Automatic function monitoring of up to 20 luminaires per circuit
- Reduced installation expenditure with **STAR** technology
- Freely programmable mixed operation of the switching modes per luminaire in one circuit



30011 CG-S



31011 CG-S



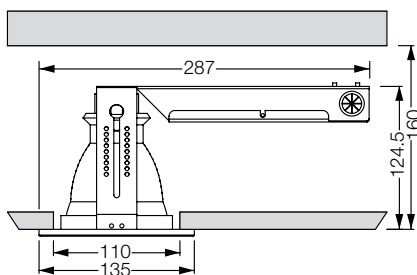
31011 T CG-S

Luminous flux $\Phi_E/\Phi_N$ at the end of rated operating time	75 %
Housing material	Sheet steel
Weight	0.8 kg (30011 CG-S) 0.9 kg (31011 CG-S) 1.0 kg (31011 T CG-S)
Housing colour	White, matt RAL 9016
Type of mounting	Recessed ceiling mounting
Connection terminals	Loop terminals 3 x 2.5 mm <sup>2</sup>
Connection voltage	220 - 240 V, 50/60 Hz 176 V - 275 V DC
Current consumption with battery operation	TC-DEL 10 W / 13 W 35/50 mA
Power consumption mains operation	TC-DEL 10 W / 13 W 16/23 VA
Permissible ambient temperature	-10 °C to +40 °C
Light source	TC-DEL 10 W/600 lm for 31011 T CG-S as well TC-DEL 13 W/900 lm

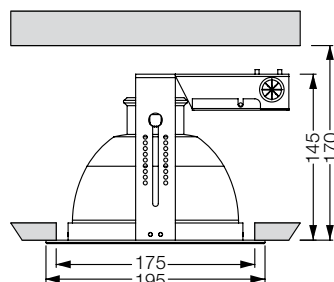
### Ordering details

Type	Scope of supply	Order No.
30011 CG-S	Luminaire with CG-S (CEWA GUARD) monitoring, with 20-digit address switch, with wide light distribution for extended spacing, diameter 135 mm, without light source	4 0071 352 260
31011 CG-S	Luminaire with CG-S (CEWA GUARD) monitoring, with 20-digit address switch, with extremely wide light distribution for extended spacing, diameter 195 mm, without light source	4 0071 352 261
31011 T CG-S	Luminaire with CG-S (CEWA GUARD) monitoring, with 20-digit address switch, with narrow beam light distribution for extended mounting height, diameter 195 mm, without light source	4 0071 352 323

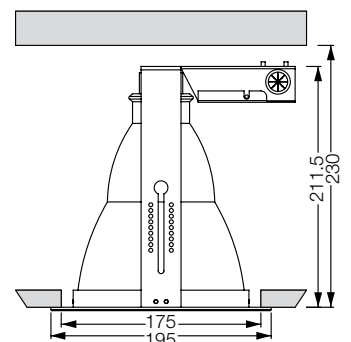
### Dimensions in mm



30011 CG-S



31011 CG-S



31011 T CG-S

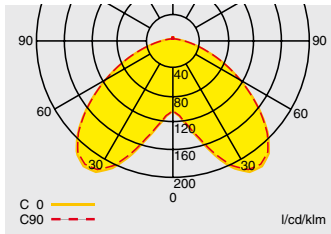
# Safety Luminaire Recessed Ceiling Mounting

## 30011 CG-S, 31011 CG-S, 31011 T CG-S

1

### Planning help for 30011 CG-S for E = 1.0 lx (0.5 lx)

Measuring level 0.02 m, maintenance factor MF = 80 %, battery operation, distances in m

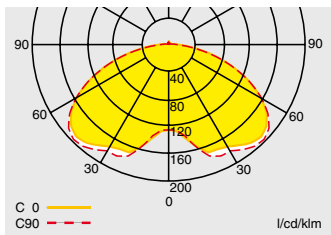


Light distribution curve  
30011 CG-S with TC-DEL 10 W

Mounting height (m)	Types of mounting	Mounting types			
		L1	L2	L3	L4
2.5	Ceiling mounting	3.9 (4.7)	9.4 (11.2)	3.9 (4.7)	9.4 (11.2)
3.0	Escape route centre	4.3 (5.2)	10.4 (12.4)	4.3 (5.2)	10.4 (12.4)
4.0		4.7 (5.9)	11.8 (14.4)	4.7 (5.9)	11.8 (14.4)
5.0		5.0 (6.4)	12.8 (15.8)	5.0 (6.4)	12.8 (15.8)
6.0		5.0 (6.8)	13.6 (17.2)	5.0 (6.8)	13.6 (17.2)
3.0	Ceiling mounting	3.4 (4.4)	8.4 (10.0)	3.4 (4.4)	8.4 (10.0)
4.0	Room illumination	3.4 (5.4)	9.8 (11.6)	3.4 (5.4)	9.8 (11.6)
5.0		3.4 (5.4)	10.8 (13.2)	3.4 (5.4)	10.8 (13.2)
6.0		3.9 (5.4)	11.8 (14.4)	3.9 (5.4)	11.8 (14.4)
7.0		0.7 (5.4)	12.4 (15.4)	0.7 (5.4)	12.4 (15.4)

### Planning help for 31011 CG-S for E = 1.0 lx (0.5 lx)

Measuring level 0.02 m, maintenance factor MF = 80 %, battery operation, distances in m

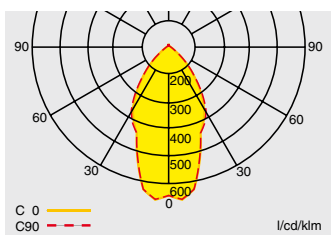


Light distribution curve  
31011 CG-S with TC-DEL 10 W

Mounting height (m)	Types of mounting	Mounting types			
		L1	L2	L3	L4
2.5	Ceiling mounting	4.4 (5.4)	10.8 (13.0)	4.4 (5.4)	10.8 (13.0)
3.0	Escape route centre	4.7 (5.9)	11.6 (14.2)	4.7 (5.9)	11.6 (14.2)
4.0		5.1 (6.6)	13.0 (16.2)	5.1 (6.6)	13.0 (16.2)
5.0		5.1 (7.0)	14.0 (17.8)	5.1 (7.0)	14.0 (17.8)
6.0		4.6 (7.2)	14.4 (18.8)	4.6 (7.2)	14.4 (18.8)
7.0		3.3 (7.2)	14.2 (19.6)	3.3 (7.2)	14.2 (19.6)
3.0	Ceiling mounting	3.4 (4.4)	10.0 (12.0)	3.4 (4.4)	10.0 (12.0)
4.0	Room illumination	4.0 (5.4)	11.4 (14.0)	4.0 (5.4)	11.4 (14.0)
5.0		4.0 (5.4)	12.4 (15.4)	4.0 (5.4)	12.4 (15.4)
6.0		3.4 (5.4)	13.2 (16.6)	3.4 (5.4)	13.2 (16.6)
7.0		0.7 (5.4)	13.8 (17.6)	0.7 (5.4)	13.8 (17.6)

### Planning help for 31011 T CG-S for E = 1.0 lx (0.5 lx)

Measuring level 0.02 m, maintenance factor MF = 80 %, battery operation, distances in m



Light distribution curve  
31011 T CG-S with TC-DEL 13 W

Mounting height (m)	Types of mounting	Mounting types			
		L1	L2	L3	L4
5.0	Ceiling mounting	4.8 (5.4)	10.8 (11.8)	4.8 (5.4)	10.8 (11.8)
7.0	Escape route centre	5.6 (6.7)	13.4 (15.2)	5.6 (6.7)	13.4 (15.2)
9.0		6.1 (7.6)	15.2 (18.0)	6.1 (7.6)	15.2 (18.0)
11.0		6.2 (8.2)	16.4 (20.2)	6.2 (8.2)	16.4 (20.2)
13.0		5.5 (8.5)	17.0 (21.6)	5.5 (8.5)	17.0 (21.6)
15.0		4.7 (8.6)	17.2 (23.0)	4.7 (8.6)	17.2 (23.0)
5.0	Ceiling mounting	3.4 (4.4)	8.2 ( 8.8)	3.4 (4.4)	8.2 ( 8.8)
7.0	Room illumination	4.4 (5.4)	10.6 (11.6)	4.4 (5.4)	10.6 (11.6)
9.0		4.4 (5.4)	12.6 (14.2)	4.4 (5.4)	12.6 (14.2)
11.0		4.4 (6.4)	14.0 (16.4)	4.4 (6.4)	14.0 (16.4)
13.0		4.4 (6.5)	15.0 (18.2)	4.4 (6.5)	15.0 (18.2)
15.0		3.4 (6.4)	16.0 (19.6)	3.4 (6.4)	16.0 (19.6)