

Escape Sign Panel Luminaire Brillant 1506 ... 1806 CG-S



- Escape sign panel luminaire for fluorescent lamps with rectangular, slender 50 mm profile housing including device for simple relamping
- Recessed mounting version including plastic bezel, optional with metal bezel
- Shortened inspection effort due to CEWA GUARD technology
- Automatic function monitoring of up to 20 luminaires per circuit
- Reduced installation expenditures by STAR technology
- Freely programmable mixed operation of the switching modes per luminaire in one circuit



1506 CG-S
design white



1606 CG-S
design white



1706 CG-S
design white



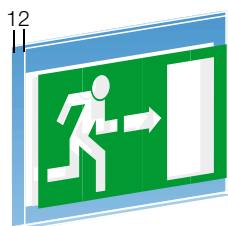
1806 CG-S
with metal shield white

Viewing distance	20 m
Luminous flux Φ_E/Φ_N at the end of rated operating time	75 %
Housing material	Aluminium
Housing colour	White
Weight incl. panel B	2.5 kg (1506 CG-S) 2.5 kg (1606 CG-S) 2.1 kg (1706 CG-S) 3.4 kg (1806 CG-S)
Connection terminals	Loop terminals 3 x 2.5 mm ²
Connection voltage	220 – 240 V AC, 50/60 Hz 176 – 275 V DC
Current consumption - battery operation (220 V)	25 mA
Power consumption mains operation	12 VA
Permissible ambient temperature	-10 °C to +40 °C
Light source	6 W/T16, 300 lm

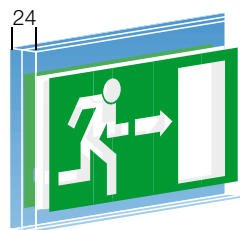
Ordering details

Type	Scope of supply	Order No.
1506 CG-S	Panel luminaire with CEWA GUARD monitoring and 20 digit address switches; with wall bracket for parallel wall mounting, without panel; design: white, RAL 9010	4 0071 348 702
1606 CG-S	Panel luminaire with CEWA GUARD monitoring and 20 digit address switches; with wall bracket, without panel; design: white, RAL 9010	4 0071 348 704
1706 CG-S	Panel luminaire with CEWA GUARD monitoring and 20 digit address switches; for surface ceiling mounting with accessories for chain suspension or for pendant mounting, without panel; design: white, RAL 9010	4 0071 348 706
1806 CG-S	Panel luminaire with CEWA GUARD monitoring and 20 digit address switches; for recessed ceiling mounting, with plastic shield RAL 9010, without panel	4 0071 352 291

Escape Sign Panel Luminaire Brillant 1506 ... 1806 CG-S



Panel A



Panel B

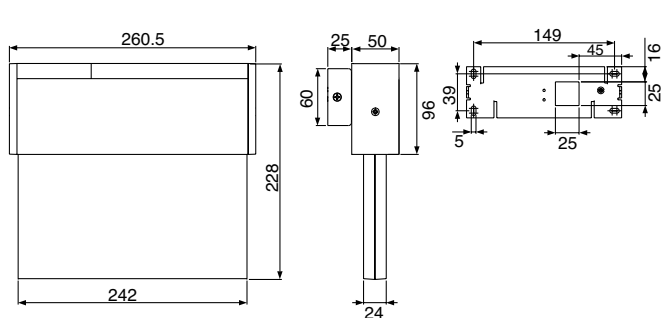
Ordering details

Type	Scope of supply		Order No.
Panel A PL acc. to DIN 4844	One-sided pictogram panel		4 0071 348 996
Panel A PR acc. to DIN 4844	One-sided pictogram panel		4 0071 348 997
Panel A PU acc. to DIN 4844	One-sided pictogram panel		4 0071 348 995
Panel B PL/PR acc. to DIN 4844	Two-sided pictogram panel		4 0071 348 937
Panel B PU/PU acc. to DIN 4844	Two-sided pictogram panel		4 0071 348 938
Panel B PU/BL acc. to DIN 4844	Two-sided pictogram panel		4 0071 349 887
Panel A PL	One-sided pictogram panel		4 0071 348 993
Panel A PR	One-sided pictogram panel		4 0071 348 994
Panel A PU	One-sided pictogram panel		4 0071 348 992
Panel B PL/PR	Two-sided pictogram panel		4 0071 348 963
Panel B PU/PU	Two-sided pictogram panel		4 0071 348 964
Panel B PU/BL	Two-sided pictogram panel		4 0071 349 181

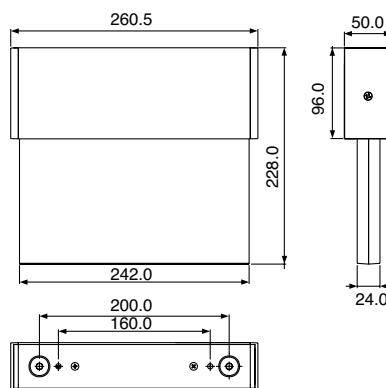
Accessories

Type		Order No.
Bezel for 1806 CG-S	metal shield white, RAL 9010	4 0071 348 860
Concrete mounting box for 1806 ...	for installation in concrete ceilings	4 0071 348 725
Mounting kit for 1806 ...	for installation in concrete recessing box	4 0071 341 720
Suspension set 0.5 m	white canopy and aluminium pendulum tube	4 0071 348 721
Suspension set 1.5 m	white canopy and aluminium pendulum tube	4 0071 348 722
Chain suspension metal	Chain fastening for 1706	4 0071 348 723

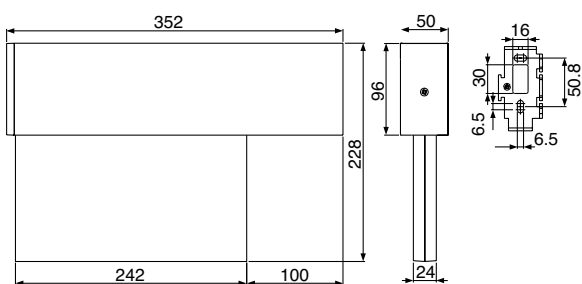
Dimensions in mm



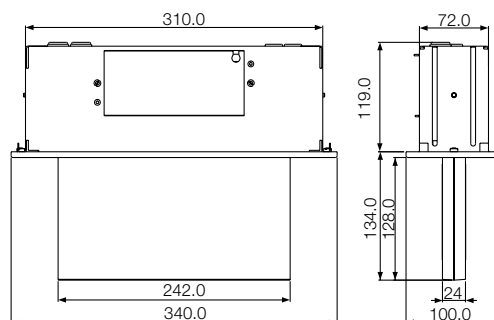
1506 CG-S



1706 CG-S



1606 CG-S



1806 CG-S

Ceiling cut-out
327^(+2.5) x 75^(+2.5)